

CARE & MAINTENANCE >>

- 1) Continued and extended exposure to sunlight and the elements can change the colours of many materials. To avoid fading, always cover and store in a shaded area.
- 2) DO NOT use any bleach based products to clean the High Chair.
- 3) The High Chair can be cleaned using a damp sponge or cloth with warm water and mild detergent. Hang to dry.
- 4) The high chair must be COMPLETELY dry before inserting into the carrying/storage bag
- 5) The "Carrying/Storage Bag" may be hand washed in cold water and mild detergent. Hang to dry.
- 6) To prevent mould or mildew always allow fabrics to dry COMPLETELY before storing.
- 7) Always store in a well ventilated area.

PRODUCT REGISTRATION AND WARRANTY >>

The Tiblit has a Limited Warranty for the period of 1 year from the date of purchase against manufacture's defects and workmanship.

For Registration: submit online @ www.guzzieandguss.com
Or mail to the address provided.

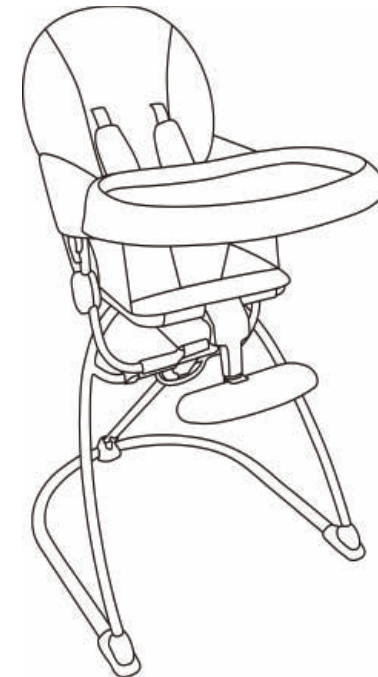
Imported by:
Peter John M. Distributions
#114 - 6951 - 72 street Delta, BC
Canada V4G 0A2

info@guzzieandguss.com
Tel 1-888-597-0992
Fax 1-604-940-4462

Tiblit
Instruction Manual

guzzie+GUSS®

Tiblit



G+G204

Please read this instruction manual carefully before using this product.
Be sure to save these instructions for future reference.

INTRODUCTION >>

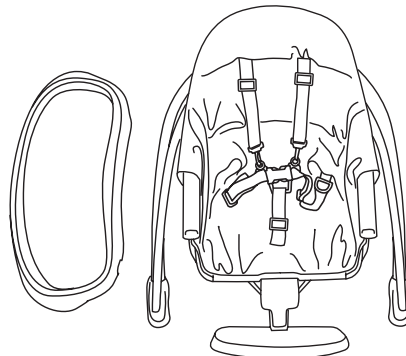
guzzie+Guss are committed to making the lives of children and parents safe, uncomplicated and convenient. We would like to thank you for purchasing this exciting product. It is important that you read and follow the instructions in this manual carefully. Please make sure all the parts are properly attached and the removable pieces fit on correctly. Please pay close attention to the opening and closing mechanism. Read all warnings and safety steps before use.

IMPORTANT >>

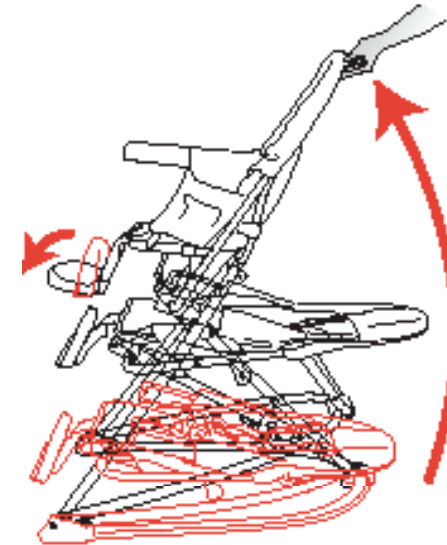
After completely reading and following all instructions in this manual, please file the instruction manual in a safe place for future reference. If the product you have received operates differently from instructions included with the product please contact guzzie+Guss at info@guzzieandguss.com. There you can obtain the most current information regarding your new Tiblit

INCLUDED PARTS >>

- 1) Frame
- 2) Feeding Tray
- 3) The Fabric seat cover (including 5 point harness)
- 4) The Storage / Travel bag
- 5) Shoulder Harness Covers
- 6) Instructions



ASSEMBLY INSTRUCTIONS >>

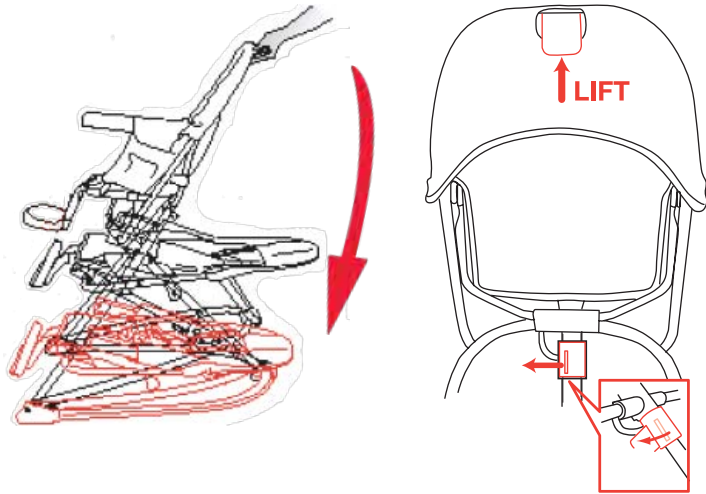


1. Sit base of the high chair on the floor.
2. Standing behind the top of the seat put the toes of your foot on top of the flat horseshoe shaped base.
3. Pull up on the back on the seat
4. Continue to slowly lift upward; when you get near to the top, you will hear the frame of the high chair "Click" once; continue pushing upward until you hear the second Click.
NOTE: Give the seat a final push to make sure both locks have been engaged
5. Flip the footrest down into position by pushing it down until you hear or feel it "Snap" into place.

IMPORTANT: ALWAYS ENSURE THAT ALL LATCHES ARE SECURELY ENGAGED BEFORE USE.

OPERATIONS INSTRUCTIONS >>

CLOSING (folding) The Highchair



IMPORTANT: ALWAYS REMOVE THE CHILD BEFORE ATTEMPTING TO FOLD THE HIGH CHAIR

1. There are 2 releases that are used to fold the high chair

The Primary release, located at the top of the back of the seat under a flap marked "Lift to Fold".

The secondary release, located below the rear of the seat at the center of the base of the seat frame.

OPERATIONS INSTRUCTIONS >>



Standing behind the chair looking down you will see a fabric flap labeled (lift to fold) when you have lifted the flap you will find the primary release handle to fold the high chair.

Lift this handle and hold it up while using your foot push down on the "RED" release lever located at the center of the base of the seat frame.

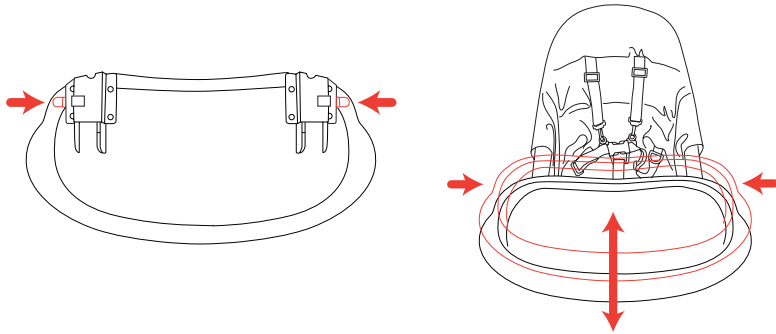
Pushing down on the lever will release the secondary safety latch. Now lower the highchair to the floor.

Once the frame is lowered onto the base you will hear or feel the frame "Click" into storage position.

Please Note: The feeding tray does not have to be removed to fold the high chair.

OPERATIONS INSTRUCTIONS >>

Let's Eat: (Using your High Chair)



Your G+G 204 High Chair is equipped with a BPA free feeding tray.

The feeding tray comes with three adjustment positions. The feeding tray can easily be installed or removed by simultaneously squeezing the release levers which are located under the tray on the right and left. This allows the tray slide into position over the side seat armrests.

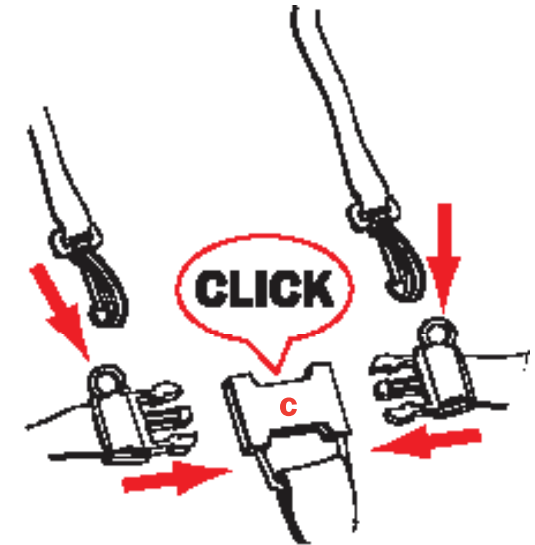
The best way to clean the feeding tray is with a mild detergent in warm water. Putting the feeding tray into a dishwasher may deteriorate the finish on the metal release levers

Adjust the feeding tray against the child's stomach so that it is comfortable.

Warning: Never leave the child unattended while sitting in the highchair.

OPERATIONS INSTRUCTIONS >>

Your G+G 204 High Chair is equipped with a 5 point safety harness system. This harness must be each time the child is seated into the highchair.



Insert Buckles (a) and (b) into either side of the Buckle Housing (c). Keep inserting until they click into place securely.

It is not necessary to undo the shoulder straps from the waist strap when placing the child in the high chair.

Pay close attention that both the shoulder straps and the waist straps are adjusted snugly enough about the child's body. Make sure that the child IS NOT able to wriggle itself free of the harness.

To remove the child from the harness release the buckles by squeezing firmly on both the top and bottom of the buckle simultaneously while remove the prongs from the buckle. This action must be done on both the right and left sides of the harness.

WARNINGS >>

- NEVER leave your child unattended, even for a short time
- The maximum weight of a child for which this High Chair is intended to be 20 kgs (45 lb).
- Be sure to check that the high chair is fully erected and locked in the open position and that all snaps, buckles and Velcro are securely fixed and in place before use.
- WARNING: Prevent serious injury or death from falls or sliding out.
- WARNING: The child should be secured in the high chair at all times by the 5pt harness correctly fitted. The tray is not designed to hold the child in the chair. It is recommended that the high chair be used only by children capable of sitting upright and unassisted.
- DO NOT attempt to move the High Chair with your child inside.
- DO NOT allow your child to stand up in the High Chair

DO NOT allow children to play around or under the High Chair

- WARNING: Prevent serious injury or death from falls or sliding out. ALWAYS keep your child in view when it is in the High Chair.
- DO NOT use the High Chair for any other use than what it is intended for. (The high chair IS NOT a step stool)
- DO NOT place your child in the High Chair anywhere the child can reach harmful and hazardous items.
- ONLY use on a flat, stable surface.
- Be Careful to properly adjust the tray against the child, always allow sufficient breathing space for your child's comfort.

Limited Warranty >>

Your guzzie+Guss unit is warranted to be free from any manufacturing defects for a period of 1 year from the date of purchase under normal use and when used in compliance with the operating instructions. The warranty is non-transferable and is only valid for the original owner. This warranty is only effective when supplied with valid proof of purchase from an authorized guzzie+Guss retailer, please retain proof of purchase for the warranty.

The warranty is only valid in the original country of purchase. This warranty is subject to the conditions set forth by country in which it was purchased, conditions may vary. Guzzie+Guss will not ship replacement or repair part out of the country of original purchase.

Guzzie+Guss will conduct repairs or send out replacement parts as determined by guzzie+Guss or an authorized repair departments working on behalf of guzzie+Guss. Guzzie+Guss reserve the right to exchange a part or the item with a replacement part or unit. Some parts may be replaced with newer model parts as the unit may be improved over time.

Please note a service issue MAY NOT ALWAYS be covered by the warranty if:

- The issue is caused by misuse or poor maintenance. Please refer to your instructions for guidance on stroller use and maintenance.
- Damage is caused by improper installation of guzzie+Guss parts and or accessories.
- Damage is caused by corrosion caused by lack of maintenance.
- Damage is caused by general wear and tear, which is caused by everyday use.
- Damage is caused by sun intensity, sweat, detergents, damp storage or frequent washings.
- Repairs or modifications are carried out by third party
- Item are purchased from an unauthorized dealer.
- Item was purchase second hand
- Item was damaged as a result of an accident, airline or freight claim.

Guzzie+Guss reserves the right to determine if warranty terms and conditions have been met