

CARE & MAINTENANCE >>

1. ▲WARNING. Check the Bolts, Rivets, and accessories very carefully before using this rocker.
2. ▲WARNING. Stop using this product if there is any damage or broken parts or pieces.
3. Lubricate all moving parts and joints with a penetrating spray lubricant, from time to time.
4. Only hand-wash the fabric by using mild detergent in warm water. DO NOT wash in machine. Hang in a ventilated place to dry. DO NOT tumble dry.
5. To prevent mold or mildew always allow fabrics to dry COMPLETELY before storing
6. It may be unsafe to use accessories other than those approved by the manufacturer or distributor. It may be unsafe to use replacement parts other than those supplied or approved by the manufacturer or distributor
7. If you have any questions regarding the product please contact guzzie and Guss at 1-888-597-0992, or online at www.guzzieandguss.com. We will provide you the best customer service.

WARRANTY >>

The G+G 401 Rock has a Limited Warranty for the period of 1 year from the receipt of purchase against manufacturers' defects and workmanship.

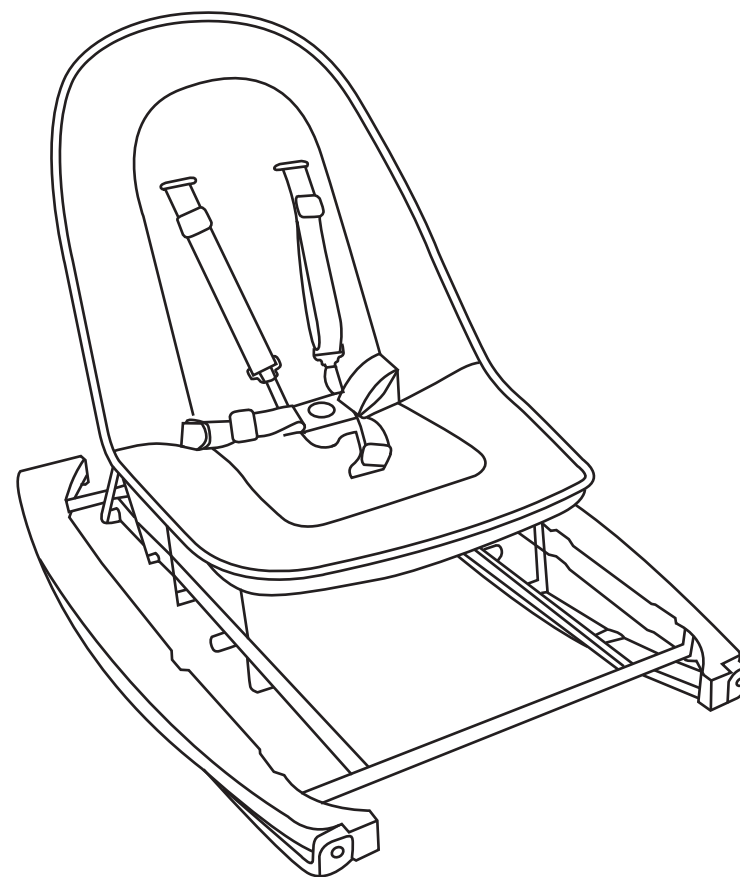
For Registration: submit online @ www.guzzieandguss.com
Or mail to the address provided.

Contact Info:
Peter John M. Distribution Inc.
88 SW Marine Drive, Vancouver, BC
Canada V5X 2R1
www.pjmdistribution.com
CANADA: 1-888-597-0992
Fax 1-604-324-2876

G+G401 ROCK
Instruction Manual

guzzie+GUSS®

G+G401 Rock



Please read this instruction manual carefully before using this product.
Be sure to save these instructions for future reference.

INTRODUCTION >>

guzzie+Guss are committed to making the life's of children and parents safe, uncomplicated and convenient. We would like to thank you for purchasing this exciting product. It is important that you read and follow the instructions in this manual carefully. Please make sure all the parts are properly attached and the removable pieces fit on correctly. Please pay close attention to the opening and closing mechanism. Read all warnings and safety steps before use.

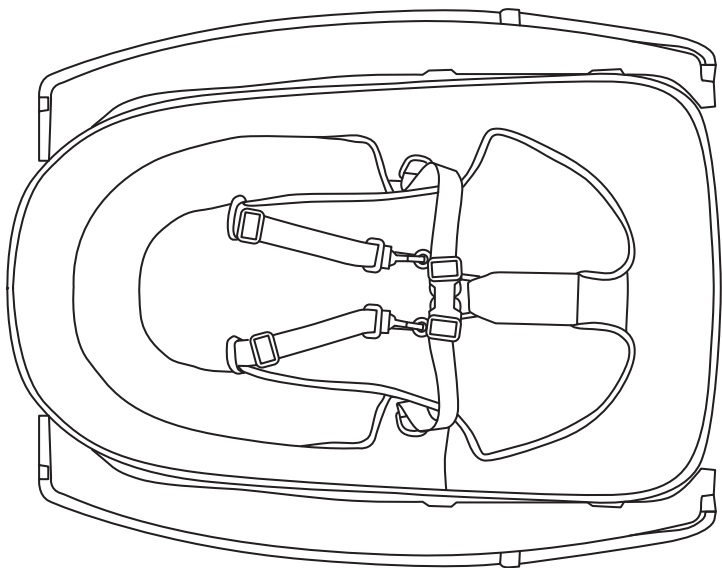
IMPORTANT >>

After completely reading and following all instructions in this manual, please file the instruction manual in a safe place for future reference. If the product you have received operates differently from instructions included with the product please contact guzzie + Guss on the internet at info@guzzieandguss.com. There you can obtain the most current manual for the G+G 401 Rock. Please have the registration No. and date manufacturing, this information will be found on the frame of the Stroller.

WARNINGS >>

- ▲ Read and understand these instructions before using this product.
- ▲ Never leave child in the rocker unattended.
- ▲ To ensure proper use, store this user guide in a convenient place so it can be consulted often. Failure to follow all warnings and instructions could result in serious injury or death.
- ▲ Keep the Rocker away from stairs, doors, windows, coffee tables, plants, lamps, TVs and wood stoves, fireplaces or heaters.
- ▲ Keep curtain and blind cords out of the reach of babies and young children.
- ▲ ALWAYS use the rocker on the floor
- ▲ WARNING! Care must be taken when folding and unfolding the Rocker to prevent finger entrapment.
- ▲ This Rocker is designed for one child.
- ▲ Make sure child's arms are clear when adjusting the seat – backrest up or down.
- ▲ Avoid serious injury from falling or sliding out. Always use the 5-point harness to secure child.
- ▲ DO NOT USE with a child who can sit up unassisted
- ▲ Make sure the 5 point harness is fitted snugly on your child at all times
- ▲ Do not use Rocker with a child who weighs more than 12.7kgs (28 lbs)
- ▲ Do not use Rocker with a child taller than 71 cm (28 inches).
- ▲ Do not allow children to climb on or play with the Rocker.
- ▲ Never use the Rocker on stairs
- ▲ To avoid entrapment or pinching, do not fold or unfold Rocker when child is in or within reach of the rocker.
- ▲ WARNING! Child's activity may move the rocker, use only on level ground or a level floor
- ▲ Do not use this rocker on any elevated surfaces such as tables, chairs, or counters.
- ▲ Suffocation Hazard: DO NOT use this Rocker on a soft surface (Bed, Sofa, Cushion etc) as the seat may tip over and cause suffocation.
- ▲ Do not use this rocker if there are any broken or missing parts.
- ▲ The rocker is not a toy; do not let children play with the Rocker.
- ▲ Never adjust the rocker while your child is seated in it.
- ▲ Always check to make sure the seat adjustment mechanisms are securely locked into position before each use.
- ▲ Do not attach any accessories to the rocker which have not been supplies by guzzie+Guss
- ▲ WARNING! This is not a car seat; do not use this in a car. DO NOT use this Rocker as an Infant Restraint System.

ROCK CONTENTS >>



Your Rock arrives flat packed and complete. It requires no frame assembly. Remove all parts of the Rocker from the carton and packaging. Dispose of any packaging thoughtfully and responsibly.

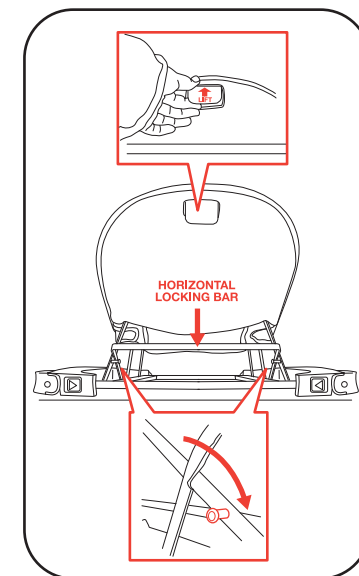
Opening The Rock

On the head of the seat, you will find a lever; this is the seat incline and recline adjuster. Lift this lever, and push the seat forward to elevate the seat. To recline, lift the lever and pull the seat down. To completely flatten the Rock, you need to lower the seat to the lowest level, and then find the bar with the notches cut out, and lift to let the seat lay flat.

Warning: always make sure to test the seat, that it is properly seated at each position

To allow the G+G401 Rocker, to rock; there are on the outside of the flat black base, there are 2 curved runners, these will flip down and under the frame to allow the Rocker to rock.

To flip the runners back up to stop it from rocking, there are sliding locks on the end of the black frame, slide the lock to the center, and flip the runner up. Repeat for the other side. (see image)

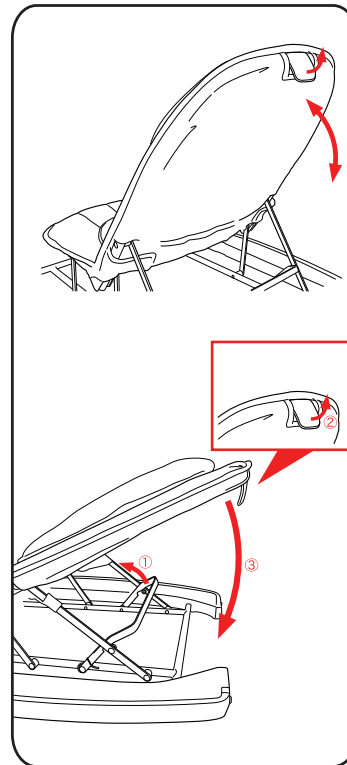


There are 4 positions for the Rock to be in, a fully upright, 2 recline positions, and one flat (storage position).

On the head of the seat, you will find a lever; this is the seat incline and recline adjuster. Lift this lever, and push the seat forward to elevate the seat. To recline, lift the lever and pull the seat down to the desired position.

To completely flatten the Rock, you need to lower the seat to the lowest level, and then find the bar with the notches cut out, and lift to let the seat lay flat.

▲ **WARNING:** always make sure to test the seat, that it is properly seated at each position.



CLOSING THE ROCKER >>

To close the rocker or change seat positions, lift the seat latch until it clicks open. Release the horizontal locking bar from the locking pins, and gently lower the seat to the desired position.

Important warning: always test that all latches are securely engaged before use.

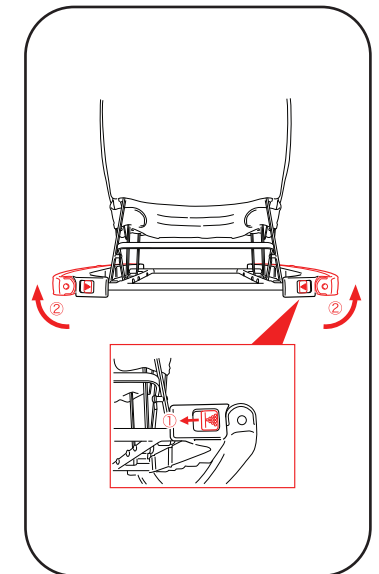
ROCKING >>

Your Rock can be used in either a stationary or rocking position.

Rocking position:

Locate the Rocker buttons found on the rear of each rocker arm.

Slide the Rocker button inward as indicated by the arrows, while simultaneously swinging the rocker arm down to create the curved rocker bar.



Stationary position:

To allow the Rocker to sit flat on the floor in a stationary position, reverse the above procedure.

SAFETY HARNESS >>

Safety Harness

1. Release the safety harness by squeezing the buckle prongs simultaneously and then pulling the buckle out from the centre latch.
2. Repeat on the other buckle

The G+G 401 Rock is equipped with a 5-point adjustable harness system. The shoulder harness is adjustable to 2 height positions and can be changed by unsnapping the hook from the waist strap, and then pushing the shoulder harness through the seat fabric, then rethreading through the other position. Repeat on the other side shoulder strap.

The length of the shoulder straps can also be changed by sliding the adjustment buckle on each shoulder strap. The waist belts are adjustable on either the right or left by using the adjustment buckles on the waist strap.

To use the 5-point harness, insert the 2 waist strap tongues into the center crotch strap buckle from the right and left. The shoulder straps do not need to be detached each time the child is removed or seated in the stroller.

▲ **WARNING:** Always fasten the 5-point harness securely and properly around the child's body whenever the child is seated in the Rocker.

▲ **WARNING:** Never leave the child unattended in the rocker

