

CARE & MAINTENANCE >>

1. ▲WARNING. Check the Bolts, Rivets, brakes and accessories very carefully before using this stroller.
2. ▲WARNING. Stop using this product if there is any damage or broken parts or pieces.
3. Lubricate all moving parts and joints with a penetrating spray lubricant, from time to time.
4. Remove front wheel cylinder housings and clean thoroughly from time to time.
5. Clean the stroller frame by wiping with moist cloth and dry thoroughly to prevent any rusting.
6. Always wipe dry your stroller after using it in the rain or in winter climates, making sure road salt is removed from frame and joints. Allow the stroller to stand in an open, warm and ventilated place to dry.
7. Do not leave your stroller outside in wet weather as the fabric could mildew.
8. Only hand-wash the fabric by using mild detergent in warm water. DO NOT wash in machine. Hang in a ventilated place to dry. DO NOT tumble dry.
9. If you have any questions regarding the product please contact guzzie and Guss at 1-888-597-0992, or online at www.guzzieandguss.com. We will provide you the best customer service.
10. It may be unsafe to use accessories other than those approved by the manufacturer or distributor.
11. It may be unsafe to use replacement parts other than those supplied or approved by the manufacturer or distributor.

WARRANTY >>

The G+G 104 Sparrow stroller has a Limited Warranty for the period of 1 year from the receipt of purchase against manufacturers' defects and workmanship.

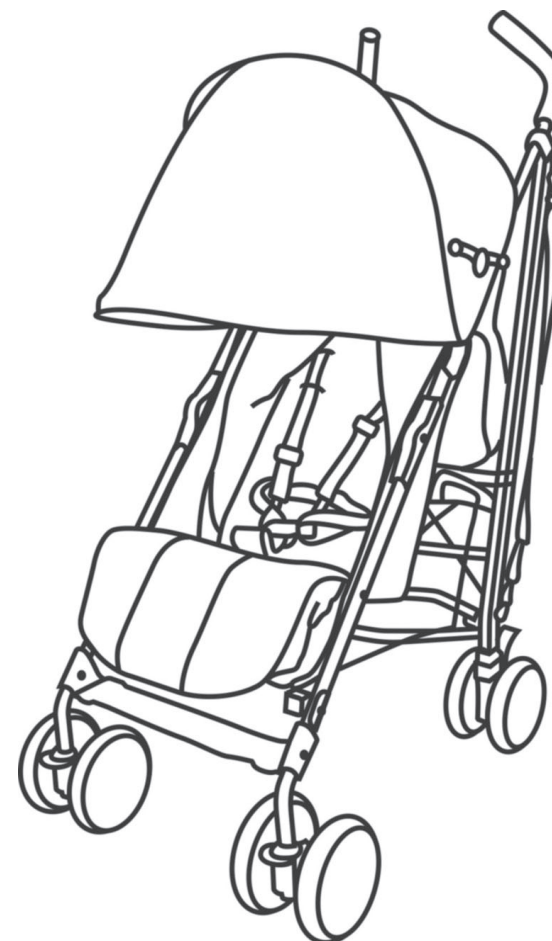
For Registration: submit online @ www.guzzieandguss.com
Or mail to the address provided.

Contact Info:
Peter John M. Distribution Inc.
88 SW Marine Drive, Vancouver, BC
Canada V5X 2R1
www.pjmdistribution.com
CANADA: 1-888-597-0992
Fax 1-604-324-2876

G+G104 Sparrow
Instruction Manual

guzzie+GUSS®

G+G104 Sparrow Stroller



Please read this instruction manual carefully before using this product.
Be sure to save these instructions for future reference.

INTRODUCTION >>

guzzie+Guss are committed to making the lives of children and parents safe, uncomplicated and convenient. We would like to thank you for purchasing this exciting product. It is important that you read and follow the instructions in this manual carefully. Please make sure all the parts are properly attached and the removable pieces fit on correctly. Please pay close attention to the opening and closing mechanism. Read all warnings and safety steps before use.

IMPORTANT >>

After completely reading and following all instructions in this manual, please file the instruction manual in a safe place for future reference. If the product you have received operates differently from instructions included with the product please contact guzzie+Guss on the internet at info@guzzieandguss.com. There you can obtain the most current information regarding your new G+G 104 Sparrow stroller. You may have to provide the registration number and manufacturing date; this information will be found on frame of your stroller.

WARNINGS >>

- ▲ Read and understand these instructions before using this product.
- ▲ Never leave child in the stroller unattended.
- ▲ To ensure proper use, store this user guide in a convenient place so it can be consulted often.
- ▲ Failure to follow all warnings and instructions could result in serious injury or death.
- ▲ **WARNING!** Care must be taken when folding and unfolding the product to prevent finger entrapment.
- ▲ This stroller is designed for one child.
- ▲ Make sure child's arms are clear when adjusting the seat – backrest up or down.
- ▲ Avoid serious injury from falling or sliding out. Always use the 5-point harness to secure child.
- ▲ Do not use stroller with a child who weighs more than 50 lbs (22.5kgs).
- ▲ Do not use stroller with a child taller than 44 inches (111.8 cm).
- ▲ Do not overload basket – Maximum weight in basket is 8 lbs (3.5kg). Overloading the basket may cause the stroller to become unstable.
- ▲ Always make certain that the stroller is fully open and locked before use.
- ▲ Assembly of this stroller must be performed only by an adult.
- ▲ Do not hang or place items on the stroller handle or frame except for those approved by guzzie+Guss. They may cause the stroller to become unstable.
- ▲ Do not allow children to climb on or play with the stroller.
- ▲ Never use stroller on stairs or escalators
- ▲ **WARNING!** Never allow the child to stand while in the stroller.
- ▲ To avoid entrapment or pinching, do not fold or unfold stroller when child is in or within reach of the stroller.
- ▲ Only use this stroller on even surfaces such as sidewalks and roads, and at walking speed.
- ▲ Stroller is intended for walking speed only. Do not use while jogging, skating, etc.
- ▲ Always set the parking brake when stroller is not moving.
- ▲ Only use accessories and replacement parts approved by guzzie+Guss
- ▲ Do not use this stroller if there are any broken or missing parts.
- ▲ When the stroller is not being used, please store the stroller in the dry and shady place.
- ▲ The stroller is not a toy; do not let children play with the stroller.

STROLLER CONTENTS >>>

- a. The Stroller chassis, including the seat upholstery fabric attached, and a storage basket attached.
- b. The Canopy/Hood and back drape
- c. The Wheels, 2 pairs of fronts,
- d. Carrying sling strap (attached to the frame)

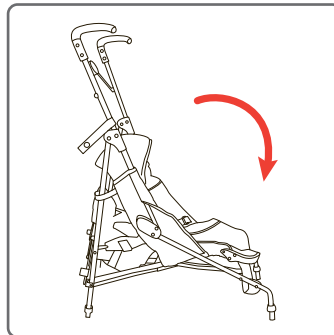
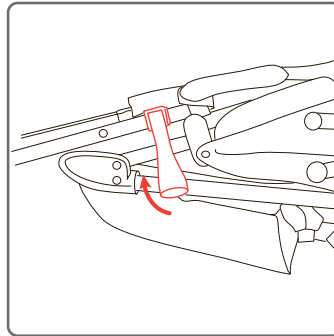
Included Accessories:

- a. Raincover
- b. Car seat safety strap

Getting Started (Assembling the Stroller)

IMPORTANT: Before beginning to assemble the stroller, be sure that you have all proper parts and pieces for your stroller and that these parts and pieces are in proper working condition.

1. Opening the chassis: Figure 1
 - a. With chassis lying on the floor with the handles pointed down, you will find on the right side of the chassis a lever. Lift the lever away from the side of the chassis and with your other hand lift up the handles. Lift the stroller off the ground letting the front of the chassis fall away from the handles.

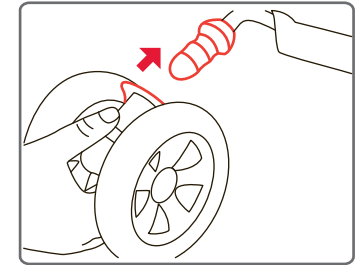


The chassis will begin to open. While holding onto the handles step on the black knob at the center of the back of the chassis. Pushing down with your foot will cause the chassis to completely open up and lock into the erect position.

Attaching the wheels to the chassis:

NOTE: You should lubricate the wheels prior to installing them. Use an oil based lubricant, and make sure to lubricate the shaft as well as the wheels on the axle.

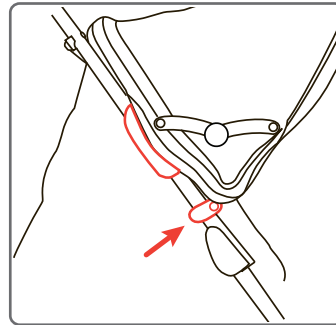
- a. To install the front wheels, lay the stroller on it's back with the rear wheels on the bottom against the floor. There is no right or left, either set will fit properly on both sides.
- b. Slide the front wheel housing cylinder on the front post of the stroller chassis. Push the cylinder towards the seat until it clicks into place. Repeat the same procedure on the other side.
- c. To remove the front wheel housing look for a release finger at the bottom of the wheel housing cylinder. While pinching the 2 tabs, slide the wheel housing cylinder off the post.



USING YOUR STROLLER >>

Attaching the Canopy/Hood:

1. On both sides of the stroller chassis you will find a rectangular, grooved mount. Slide the canopy ratchet onto one of these side mounts (from the top to the bottom). Make sure to push enough to get the ratchet to be placed fully on the mount. (You will feel a positive click, when this has been completed) Repeat on the second side.
2. Just above the ratchet, on both sides of the stroller, you will find a flap of material, with Velcro on the inside, this will attach to the seat fabric.
3. On the back of the canopy flap, you will find 2 snap buttons, these coincide with 2 snap buttons on the back of the seat.



To Remove Canopy

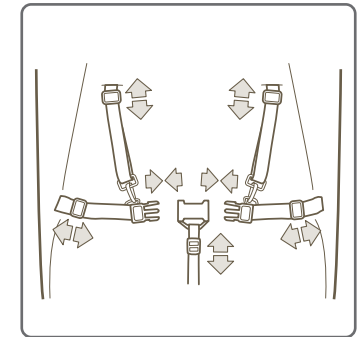
Release the Velcro from the seat fabric and slide the ratchets up off the mounts. Then unsnap the 2 button snaps on the back of the seat.

The guzzie+Guss G+G104 Sparrow stroller has been equipped with a deluxe zip out pleat on the rear of the canopy, you can either unzip this to extend the canopy, or leave it zipped to shorten the canopy.

Using Your Stroller:

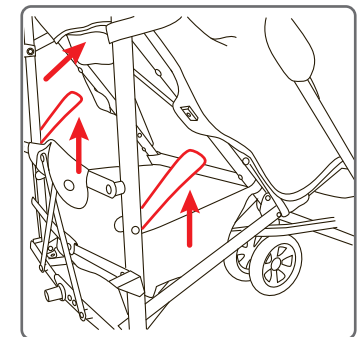
1. Safety harness: The G+G 104 Sparrow stroller is equipped with a 5-point safety harness, which is to be used every time a child seated in the stroller. Both the waist strap and the 2 shoulder straps are adjustable to properly fit the child using the stroller.

Insert the 2 waist strap tongues into center crotch strap buckle receiver, from right and left. The shoulder harness is adjustable in height and can be changed by unthreading the shoulder strap from its current position and rethreading it through the shoulder belt positioning loop at the desired height. The length of the shoulder straps can also be changed by sliding the buckle on each shoulder strap.



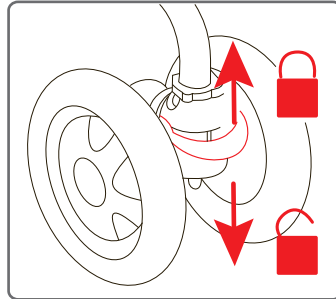
Reclining the Stroller Seat-backrest:

- a. On both sides of stroller behind the seat-backrest, you will find 2 release slides. Lifting up on both of the slide releases, will allow the seat to recline. Make sure the seat is in the same position on both sides, otherwise the seat will be askew.
- b. To erect the seat-backrest simply lift up on the back of the backseat stopping at the desired position.

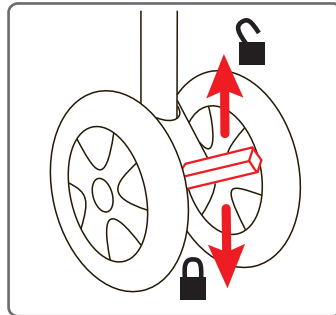


Pushing the stroller:

The front swiveling wheels can be locked into a stationary position (so they will not swivel). You will find on the top of both front wheel housings a black tongue lever. Lift up to engage the locking mechanism.

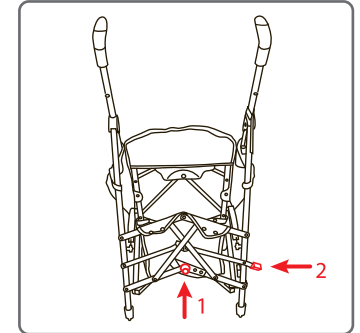


The rear wheels are equipped with a braking system which is attached to the rear wheel housing and exposed behind the wheels. Each wheel brake works independently of the other. To engage the brake, step on the black pedal behind each rear wheel. Always apply both wheel brakes.

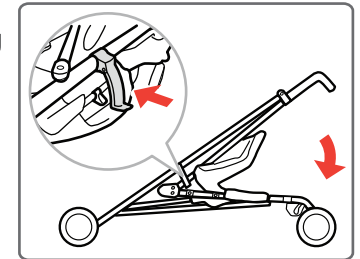


Folding the stroller:

a. First release the stretcher bars on the sides of the canopy, and collapse the canopy against cane handles.
b. To fold the stroller, start by pushing up with your toe the black knob you stepped on to open the stroller. Once you have released the cross-brace with your toe, find the black foot lever on the right side half way up right rear leg of the stroller chassis.



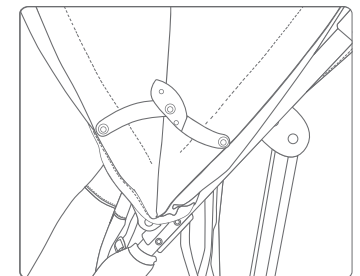
Step gently on the black lever while pushing the cane handles toward the front wheels. Push forward on the handles until the handles lay against front wheels. The side closing lock will automatically engage.



The stroller is equipped with a carrying shoulder sling on the left side of the chassis.

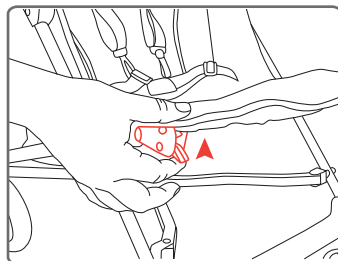
Using the Canopy

On each side of the canopy you will find a stretcher bar. Pushing down on the stretcher bar will make the canopy taut. Remember to release the stretcher bar before folding the stroller chassis.



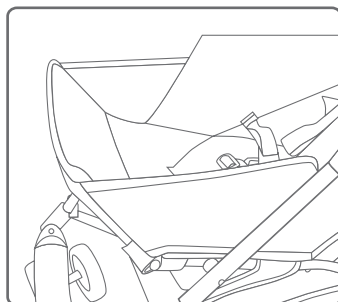
Using the adjustable footrest:

Find on both sides of the top of the foot rest where the leg bends, a button. When the buttons are pushed in the foot rest can be adjusted up or down to the desired position.



Footrest Enclosure:

The G+G 104 Sparrow stroller is equipped with an enclosure for the front footrest. On both sides of the footrest you will find a flap attached to the ends of the footrest. Lift the footrest until the flap reaches to the side panel of the stroller seat. On the outside of the seat side panel you will find a Velcro strip where the flap is to be attached to. Using the footrest enclosure does not relieve the using of the 5 point harness system when the child is lying in the stroller.

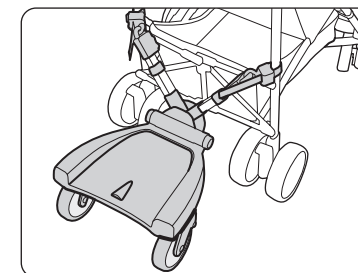


Car seat compatibility

The G+G104 Sparrow has the ability to accept a car seat (some models may not work). First you need to attach both ends of the car seat safety strap to the 2 metal “D” rings located on both sides of the waist belts. Then you need to lift the footrest up to 90 degrees, and attach the footrest enclosure. Place your car seat facing the handles and resting on the footrest. It should fit snugly between the frame of the stroller. Connect the car seat safety strap over the front of the seat, and connect the buckles. Make sure to feed the straps through your car seat’s lap belt pathway. Tighten the straps until the straps are snug over the seat, and there is no movement in with your car seat.



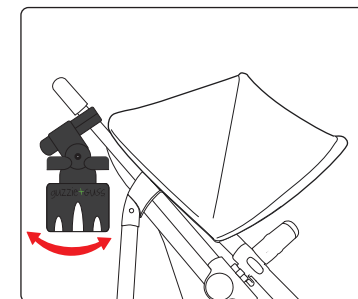
Warning: make sure when using this feature the child is always strapped into your car seats 5-point harness.



ACCESSORIES >>

Rain cover
Pull the canopy out and lay the rain cover over the end of the canopy, attach the Velcro straps underneath the seat.

PLEASE NOTE: Rain cover will only fit on the seat when the canopy extension is not being used.



Other available accessories (sold separately)

Universal Cup Holder
Universal Hitch