

## CARE & MAINTENANCE >>

1. ▲WARNING. Check the Bolts, Rivets, brakes and accessories very carefully before using this stroller.
2. ▲WARNING. Stop using this product if there is any damage or broken parts or pieces.
3. Lubricate all moving parts and joints with a penetrating spray lubricant, from time to time.
4. Remove front wheel cylinder housings and clean thoroughly from time to time.
5. Clean the stroller frame by wiping with moist cloth and dry thoroughly to prevent any rusting.
6. Always wipe dry your stroller after using it in the rain or in winter climates, making sure road salt is removed from frame and joints. Allow the stroller to stand in an open, warm and ventilated place to dry.
7. Do not leave your stroller outside in wet weather as the fabric could mildew.
8. Only hand-wash the fabric by using mild detergent in warm water. DO NOT wash in machine. Hang in a ventilated place to dry. DO NOT tumble dry.
9. If you have any questions regarding the product please contact guzzie and Guss at 1-888-597-0992, or online at [www.guzzieandguss.com](http://www.guzzieandguss.com). We will provide you the best customer service.
10. It may be unsafe to use accessories other than those approved by the manufacturer or distributor.
11. It may be unsafe to use replacement parts other than those supplied or approved by the manufacturer or distributor.

## WARRANTY >>

The G+G 102 Caribou stroller has a Limited Warranty for the period of 1 year from the receipt of purchase against manufacturers' defects and workmanship.

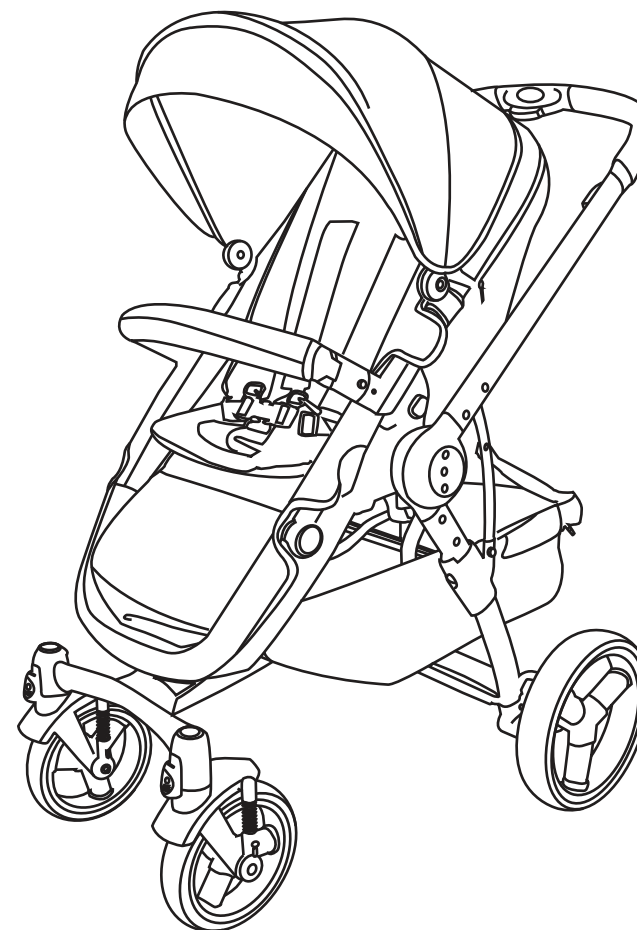
For Registration: submit online @ [www.guzzieandguss.com](http://www.guzzieandguss.com)  
Or mail to the address provided.

Contact Info:  
Peter John M. Distribution Inc.  
88 SW Marine Drive, Vancouver, BC  
Canada V5X 2R1  
[www.pjmdistribution.com](http://www.pjmdistribution.com)  
CANADA: 1-888-597-0992  
Fax 1-604-324-2876

G+G102 CARIBOU  
Instruction Manual

# guzzie+GUSS®

## G+G102 Caribou Stroller



Please read this instruction manual carefully before using this product.  
Be sure to save these instructions for future reference.

## INTRODUCTION >>

---

guzzie+Guss are committed to making the lives of children and parents safe, uncomplicated and convenient. We would like to thank you for purchasing this exciting product. It is important that you read and follow the instructions in this manual carefully. Please make sure all the parts are properly attached and the removable pieces fit on correctly. Please pay close attention to the opening and closing mechanism. Read all warnings and safety steps before use.

## IMPORTANT >>

---

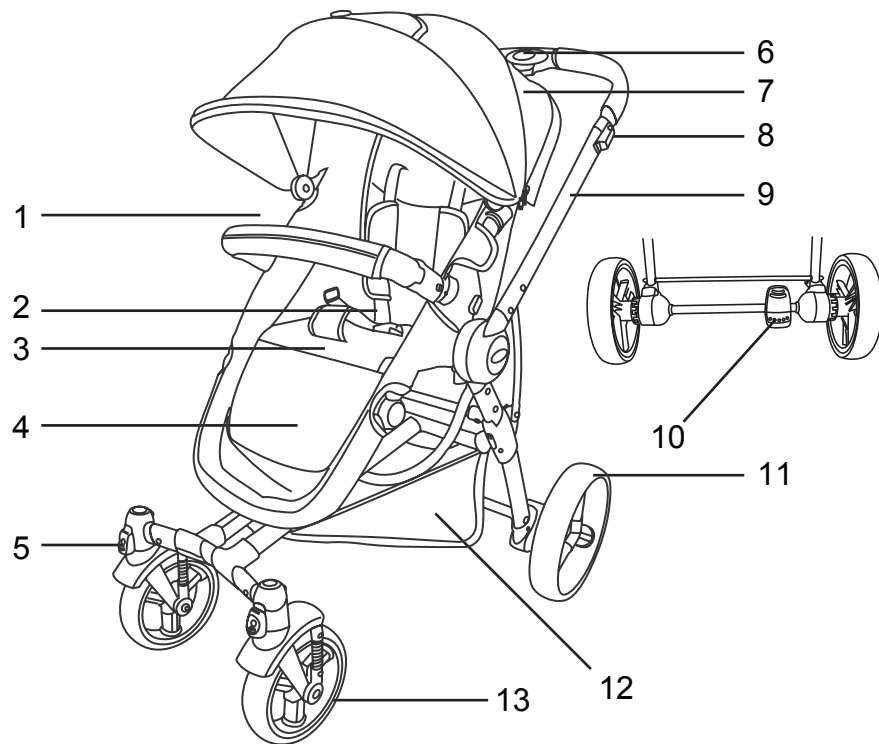
After completely reading and following all instructions in this manual, please file the instruction manual in a safe place for future reference. If the product you have received operates differently from instructions included with the product please contact guzzie+Guss on the internet at [info@guzzieandguss.com](mailto:info@guzzieandguss.com). There you can obtain the most current information regarding your new G+G 102 Caribou stroller. You may have to provide the registration number and manufacturing date; this information will be found on frame of your stroller.

## WARNINGS >>

---

- ▲ Read and understand these instructions before using this product.
- ▲ Never leave child in the stroller unattended.
- ▲ To ensure proper use, store this user guide in a convenient place so it can be consulted often.
- ▲ Failure to follow all warnings and instructions could result in serious injury or death.
- ▲ WARNING! Care must be taken when folding and unfolding the product to prevent finger entrapment.
- ▲ This stroller is designed for one child.
- ▲ Make sure child's arms are clear when adjusting the seat – backrest up or down.
- ▲ Avoid serious injury from falling or sliding out. Always use the 5-point harness to secure child.
- ▲ Do not use stroller with a child who weighs more than 50 lbs (22kgs).
- ▲ Do not use stroller with a child taller than 44 inches (111.8 cm).
- ▲ Do not overload basket – Maximum weight in basket is 10 lbs (4.5kg).
- ▲ Overloading the basket may cause the stroller to become unstable.
- ▲ Always make certain that the stroller is fully open and locked before use.
- ▲ Assembly of this stroller must be performed only by an adult.
- ▲ Do not hang or place items on the stroller handle or frame except for those approved by guzzie+Guss. They may cause the stroller to become unstable.
- ▲ Do not allow children to climb on or play with the stroller.
- ▲ Never use stroller on stairs or escalators
- ▲ WARNING. Never allow the child to stand while in the stroller.
- ▲ To avoid entrapment or pinching, do not fold or unfold stroller when child is in or within reach of the stroller.
- ▲ Only use this stroller on even surfaces such as sidewalks and roads, and at walking speed.
- ▲ Stroller is intended for walking speed only. Do not use while jogging, skating, etc.
- ▲ Always set the parking brake when stroller is not moving.
- ▲ Only use accessories and replacement parts approved by guzzie+Guss
- ▲ Do not use this stroller if there are any broken or missing parts.
- ▲ When the stroller is not being used, please store the stroller in the dry and shady place.
- ▲ The stroller is not a toy; do not let children play with the stroller.

## STROLLER CONTENTS >>



- |                             |                 |
|-----------------------------|-----------------|
| 1. bumper bar               | 12. basket      |
| 2. safety buckle            | 13. front wheel |
| 3. seat unit                |                 |
| 4. foot rest                |                 |
| 5. swivel lock              |                 |
| 6. handle adjustable button |                 |
| 7. canopy                   |                 |
| 8. folding lever            |                 |
| 9. handle                   |                 |
| 10. brake lever             |                 |
| 11. rear wheel              |                 |

Included Accessories:  
boot cover

Not included accessories that are available:  
Universal Car seat adapter  
Universal Cup Holder  
Stroller Hitch

## Getting Started (Assembling the Stroller)

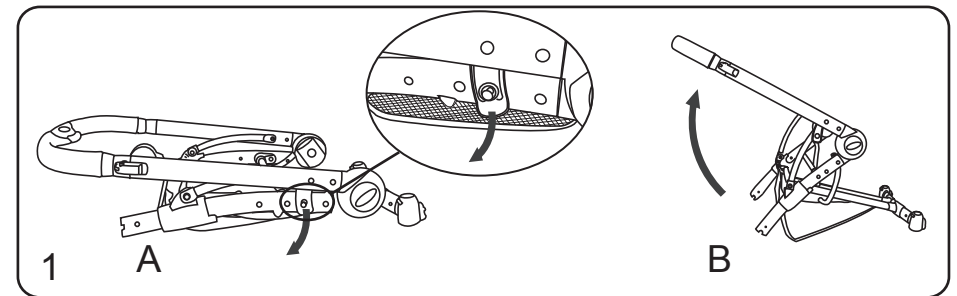
**IMPORTANT:** Before beginning to assemble the stroller, be sure that you have all proper parts and pieces for your stroller and that these parts and pieces are in proper working condition.

To open the stroller chassis:

On the right side of the chassis frame you will find the locking clip which holds the stroller chassis closed when folded.

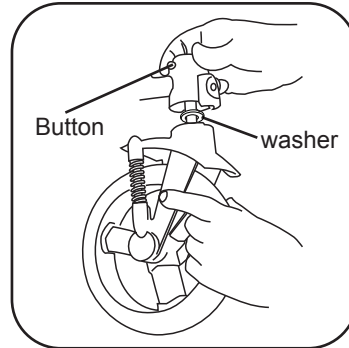
a. Release the folding latch by pulling out with one hand.

b. Grip the handle and lift up to unfold the stroller with the other hand; Keep sliding the handle until you hear the stroller chassis click together in the up-right position. (You will find it easier if you put your foot on the rear axle while lifting up on the handle.)



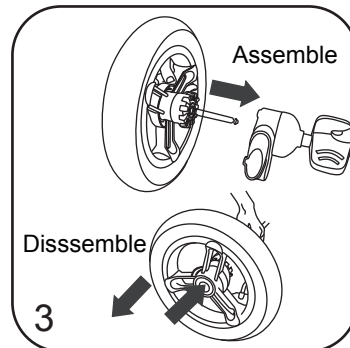
### Attaching the wheels to the chassis:

1. To assemble front wheels:  
Insert front wheel pegs into either side of the front wheel housing on stroller chassis pushing the in until you hear the “Click” knowing the wheel is locked properly.

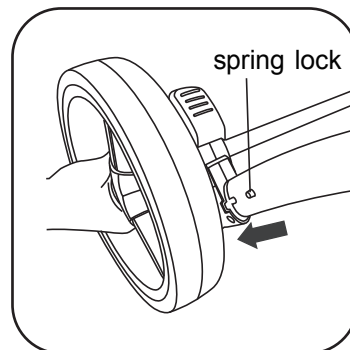


2. To disassemble:  
Press in on the button at the back off housing. While holding in the button, pull the wheel peg out of the housing.

3. To Assemble rear wheel set:  
To assemble: Insert the axle that is attached to 12" rear wheel into the axle sleeve on the stroller chassis until you hear a click, pull back wheel to ensure that the axle has locked into place properly.



4. To disassemble:  
Press in on the grey button located on bottom of the chassis axle housing, while holding in the button pull the wheel out of the axle sleeve

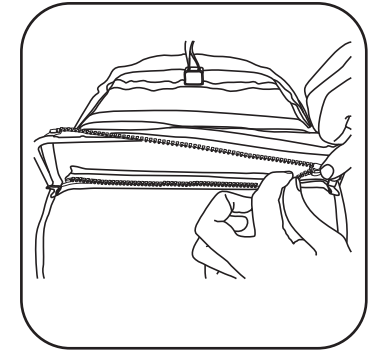


## USING YOUR STROLLER >>

### Assembling and Using the Convertible seat:

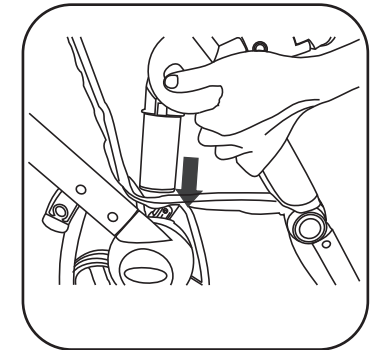
Turn the seat over so the bottom is facing up.

You will see a metal U shaped rod across the bottom of the seat, zipper the fabric around the rod.



### Attaching the Seat Unit to the stroller chassis.

On both sides of the stroller seat you will find an oval shaped post. Align the post on both sides of the stroller seat with the oval receiving holes on the stroller chassis. Insert both posts into the holes on the chassis simultaneously pushing gently down until you hear the posts click into the proper position.

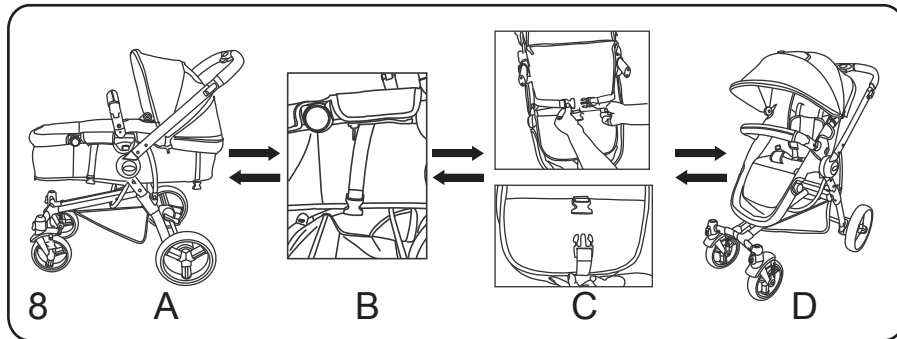


### To disengage the seat from the stroller chassis:

Press in the grey button on the both sides of the seat frame next to the front bumper bar and pull up seat unit.

Note: Seat unit can be used both facing forward also facing to the rear.

**Making the stroller into a bassinette or into a stroller seat.**



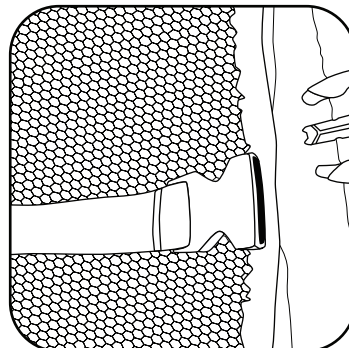
On the bottom of the seat you will find 3 sets of straps with buckles.

- A, One at the top of the back.
- B, One at the bottom of the center seat section
- C, One at center of the foot rest section

If you want to make the (convertible stroller seat) into a stroller seat, attach each of the buckles together. This will create the stroller seat.

If you want the bassinette for lying flat, detach all the buckles and this will create the bassinette. If using an additional mattress pad in the bassinette, make sure it is not thicker than 25mm (or 1 inch)

To make the bassinette more stable, there is an added strap for you to connect. If you look on the rear edge of the basket you will find the female end, which will attach to the male end of the strap attached to the seat.

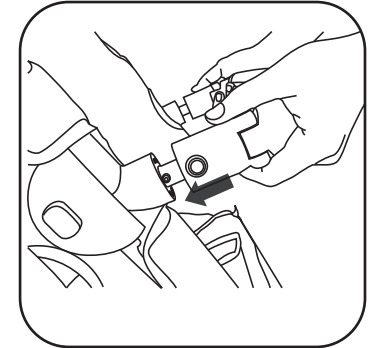


**To assemble bumper bar:**

Assemble: Align the bumper bar pegs with holes in the front of the seat unit and insert pushing down gently until you hear the click.

The bar may be removed from one side only to attain access, or both to remove the bar.

**WARNING!** Do not attempt to lift the stroller by the front bar. This bar is NOT made as a handle for carrying.



**Disassemble:**

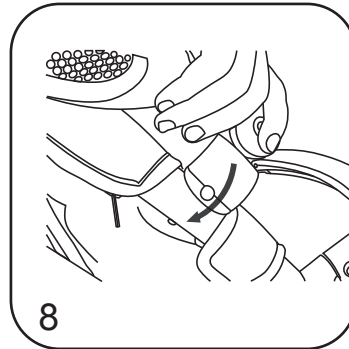
Press down both buttons on the bumper bar and pull out.

### To assemble the Canopy:

On both side of the convertible seat frame you will see a cut away where the metal frame is exposed, at the back of the frame tube at that point you will see a small knob, align the slots on the plastic canopy clips with the knob on the seat frame and starting at the top roll the canopy clip onto the frame tube clicking it into place.

Once you have attached canopy to the frame attach the back flap of the frame canopy to the seat frame by doing up the zipper at the bottom rear of the canopy. You will also find another zipper at the mid section of the canopy which be used to extend or shorter the canopy as you desire.

The guzzie+Guss G+G102 Caribou stroller has been equipped with a deluxe foldout visor on the front of the canopy, you can either pull this out, or tuck it back into the canopy to store it.



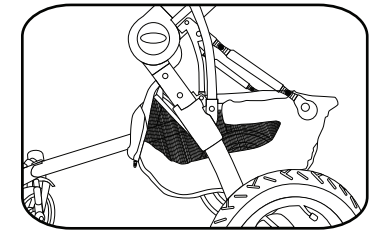
### Assembling the Storage basket:

You will find the storage basket at the bottom rear of the stroller chassis. On both sides of the storage you will find a strap with a clip on it. Find the adjoining clip on the stroller frame and attach the strap to it.

Do not put a child in the basket, or let a child ride in the basket.

This storage basket is designed to carry a maximum of 4.5 kg. (10lbs.)

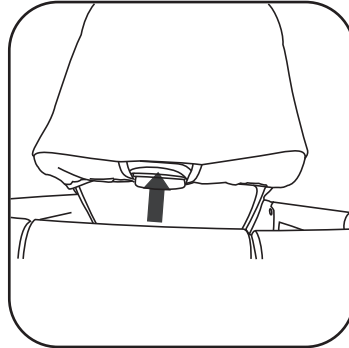
(Please Note: You will have to undo this strap if you want to put the stroller chassis back in the shipping box the stroller arrived in.)



### Reclining the stroller seat-backrest:

Press in the grey button which is located at the top center of the seat back, on the outside of the canopy. While depressing the button move the seat up or down to the desired position, release the button to fix the seat into position.

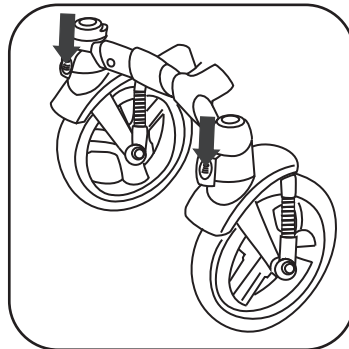
There are 3 positions that the seat unit can be adjusted to.



### Pushing the stroller:

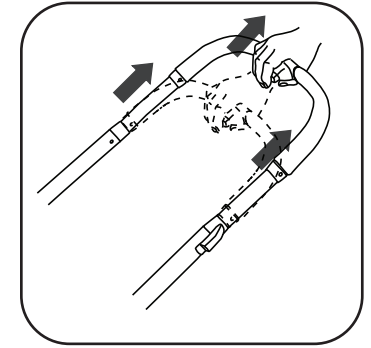
To use front swivel lock: Press in on swivel lock button on the front of wheel housing to stop the front wheel from swiveling; Push up on the tab under the locking button to release the mechanism allowing the wheel to swivel.

The lock position should be used when the stroller is being pushed on grass, gravel, rough and unlevelled terrain, such as the beach, parks or on a forest trail.



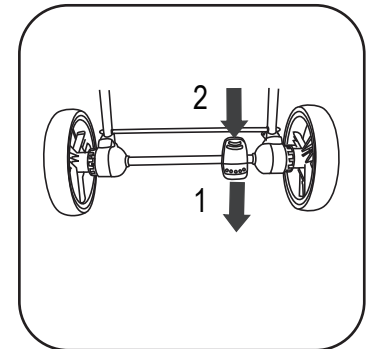
### Using the Stroller Push Handle:

Press down the button on handle centre to adjust height of the push handle. There are 4 positions available.



### Using the Parking brakes:

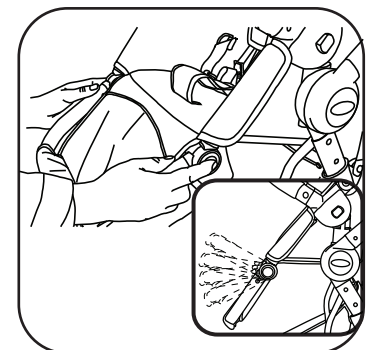
The parking brake is Red in color and is located on the right side on the rear axle below the storage basket. Step down on the brake pedal to engage brake mechanism. Push up from under the brake pedal unlock the brakes.



### USING THE ADJUSTABLE FOOTREST >>

#### Using the adjustable footrest:

Press down both round grey buttons on both sides of the footrest where it attaches to the seat frame. While holding both buttons position the footrest up or down to the desired position. Release the buttons to hold in place.



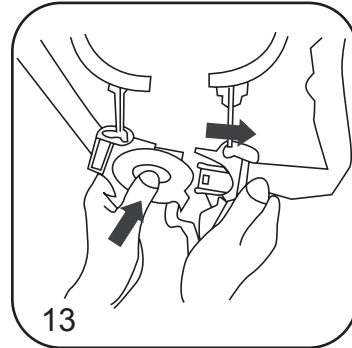


## USING YOUR STROLLER >>

### Safety harness

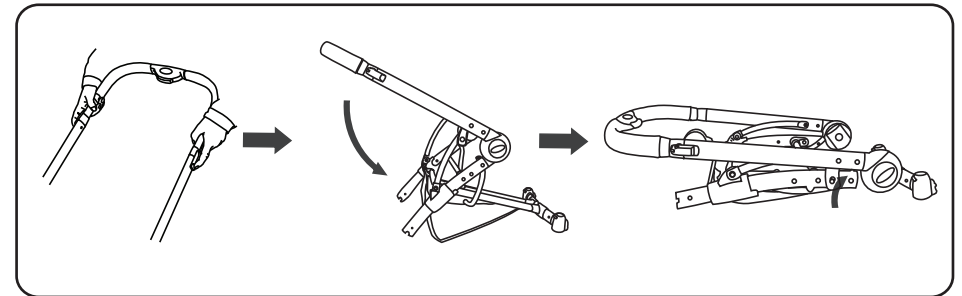
The G+G 102 Caribou stroller is equipped with a 5-point safety harness, which is to be used every time a child seated in the stroller. Both the waist strap and the 2 shoulder straps are adjustable to properly fit the child using the stroller.

Insert the 2 waist strap tongues into center crotch strap buckle receiver, from right and left. The shoulder harness is adjustable in height and can be changed by unthreading the shoulder strap from its current position and rethreading it through the shoulder belt positioning loop at the desired height. The length of the shoulder straps can also be changed by sliding the buckle on each shoulder strap.



### To fold the stroller chassis:

You will find on both sides of the upper section of the stroller handle a grey rectangular button. Pull up on both button simultaneously and let the stroller handle lower downward, as the stroller chassis frame comes together the folding latch on the side will automatically lock the chassis closed.



Not included accessories that are available:  
Universal Car seat adapter  
Universal Cup Holder  
Stroller Hitch

