

guzzie+GUSS®

G+G052 Lynx Stroller



Please read this instruction manual carefully before using this product.
Be sure to save these instructions for future reference.

INTRODUCTION >>

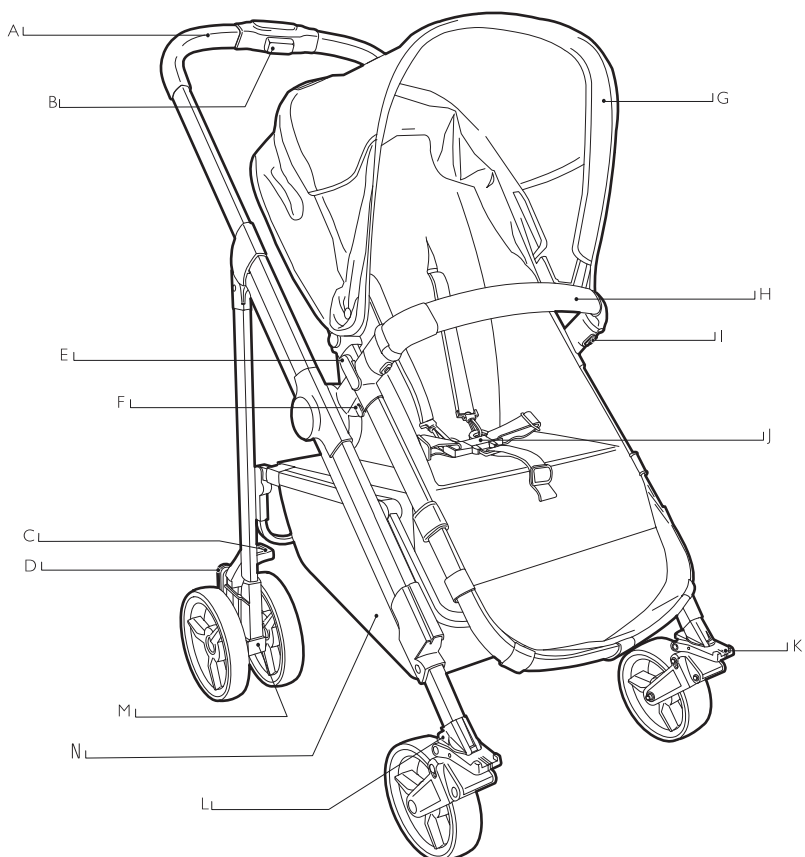
guzzie+Guss are committed to making the lives of children and parents safe, uncomplicated and convenient. We would like to thank you for purchasing this exciting product. It is important that you read and follow the instructions in this manual carefully. Please make sure all the parts are properly attached and the removable pieces fit on correctly. Please pay close attention to the opening and closing mechanism. Read all warnings and safety steps before use.

IMPORTANT >>

After completely reading and following all instructions in this manual, please file the instruction manual in a safe place for future reference. If the product you have received operates differently from instructions included with the product please contact guzzie+Guss on the internet at info@guzzieandguss.com. There you can obtain the most current information regarding your new G+G 052 Lynx stroller. You may have to provide the registration number and manufacturing date; this information will be found on frame of your stroller.

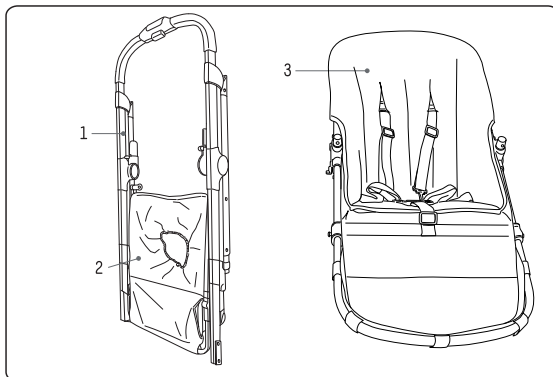
YOUR STROLLER >>

- | | | | |
|----|---------------------------|----|---------------------|
| A) | Handle | H) | Bumper bar |
| B) | Folding/Unfolding trigger | I) | Bumper bar release |
| C) | Brake | J) | Harness |
| D) | Brake release | K) | Front Swivel lock |
| E) | Seat frame release | L) | Swivel Lock release |
| F) | Seat recline post | M) | Rear wheel release |
| G) | Canopy | N) | Basket |

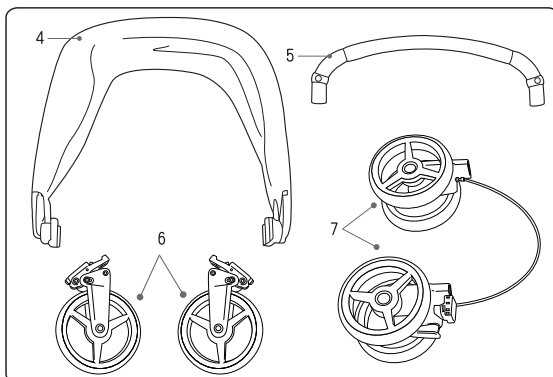


INCLUDED PARTS >>

1. Stroller frame
2. Basket
3. Seat

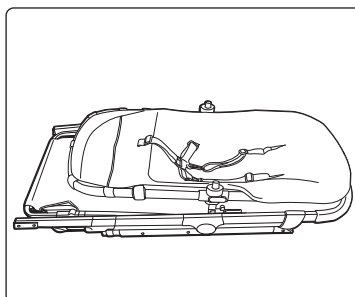


4. Canopy
5. Bumper bar
6. Front wheels
7. Rear wheels
8. Newborn Next Apron
9. Rain cover (not shown)



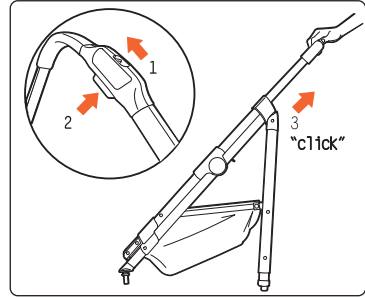
OPERATING INSTRUCTIONS >>

Remove all packaging



Unfold the stroller chassis

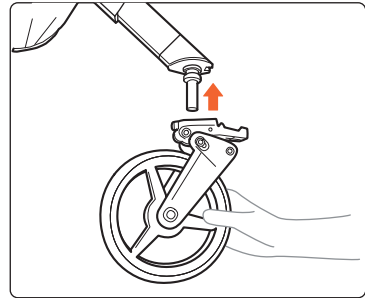
1. Slide the 2nd lock on the handle to the right, until it locks.
2. Squeeze the Folding Trigger.
3. Pull upwards on the handle; allowing the rear of the chassis to swing out, which will lock the stroller in the open position.



Attach the front wheels

1. Line up the front wheel with the wheel shaft, and push wheel upward until you hear a "Click".
2. Repeat for the other side.

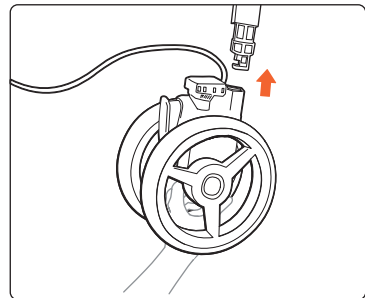
ATTENTION: make sure the wheels are properly attached by lightly tugging on the wheel.



Attach the rear wheels

1. Line the rear wheel up with the rear chassis, push upward until you hear a "Click"
2. Please repeat for the other wheel
3. **Note:** The red brake pad must be to the right side to be installed properly.

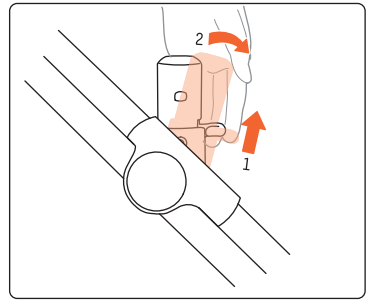
ATTENTION: make sure the wheels are properly attached by lightly tugging on the wheel.



Attach the seat

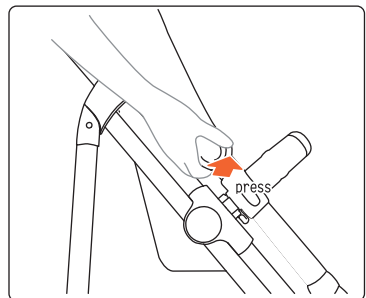
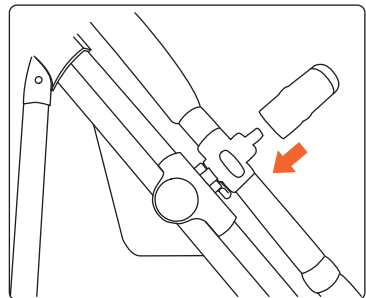
1. Remove plastic packaging plugs from the seat receptacle holes
2. Pull the seat recline post upwards on both sides.
3. Now adjust the posts to a 90 degree angle (Straight Up).
4. When attaching the seat, align the connectors on each side of the stroller seat above the recline posts. Once aligned, simultaneously push the connectors onto the recline posts until you hear a “click” from both sides.
5. **Note:** the seat may be attached in either direction forward or backward

▲ **WARNING:** Please make sure that both sides have been attached properly, try lifting the seat off the chassis; if either side moves, you need to push down until you hear a “click”.



Attach the bumper bar

1. On both sides of the stroller seat, you will find a black post with a grey button on the outside. The front bumper bar is to be pushed directly onto these two posts. You should hear the bar “click” into the proper position. Test the lock by gently pulling up on the center of the bar. The bumper bar should not pull off the posts if it is properly locked into position. There is no specific orientation for the bumper bar. It can be installed in either direction and will work properly.
2. **Note:** The Bumper bars is not intended to be a carrying handle



Attach the canopy

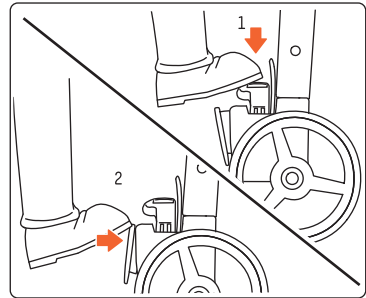
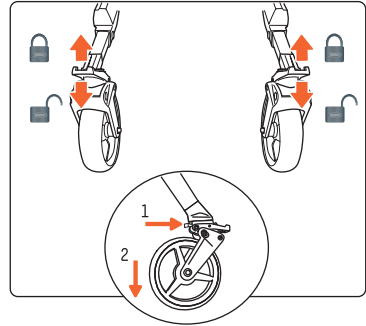
1. Attach the canopy clamp onto the seat frame on both sides by pressing clamp firmly onto tubing.
2. On the back of the Canopy you will find a zipper to connect the canopy to the seat.

USING YOUR STROLLER >>

Front wheels

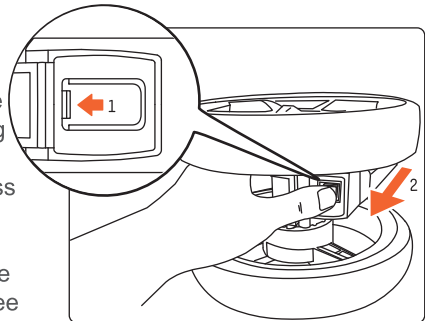
1. To lock wheels, lift the tab on the top of the wheel. Be sure that wheels are straight. You will hear a “click” when lock is engaged.
2. Repeat on the second wheel.
3. To unlock wheels, just push down on the tab on the top of the wheel, you will again hear a “click”.
4. Repeat on the second wheel.
5. To remove the front wheel to lubricate, you will find a button on the inside of the wheel base. Push this button, and pull down on the wheel.

PLEASE NOTE: it is necessary to lubricate your stroller from time to time, including the wheels, as well as other moving parts. Please use oil based lubricant.



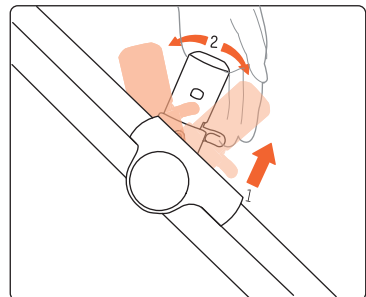
Rear wheels and brakes

1. To engage the brake, push the red pedal in, on the right side. Please make sure the brake is engaged before letting go of your stroller
2. To disengage the stroller brake, press in at the top of the grey brake release button.
3. To remove the rear wheels, press the button and pull down on the wheels. (see pic)



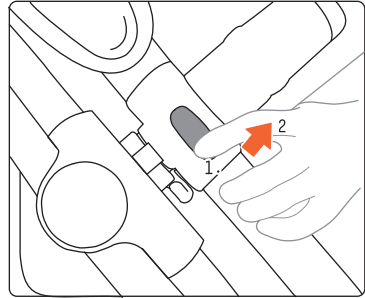
Reclining the seat

1. Lift the seat recline mechanisms (lever) upward, you need to do both sides simultaneously.
2. There are 3 positions for the seat, fully reclined, fully upright, and a middle position.



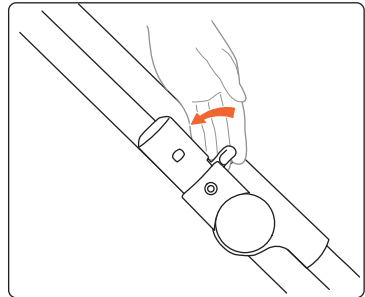
Removing the seat

1. First adjust the seat to the third recline position for ease of removing.
2. Press the buttons on both sides of the seat.
3. Pull the seat upward, while holding the buttons down.



Reversing the seat

1. Remove the seat.
2. Move the seat recline mechanism to the desired position (this can also be adjusted later).
3. Align the seat above the recline mechanisms in the rear-facing position.
4. Push the seat connectors onto the seat recline mechanisms, until you hear a "click".
5. Adjust the recline mechanism to your desired position.



▲ **WARNING:** Please make sure that both sides have been attached properly, try lifting the seat off the chassis, if either side moves, you need to push down until you hear a "click".



MAKING THE STROLLER INTO THE NEWBORN NEST OR INTO A STROLLER SEAT.

Assembling and Using the Convertible seat;

Turn the seat over so the bottom is facing up.

On the bottom of the seat you will find 3 sets of straps with buckles, and 1 metal support bar.

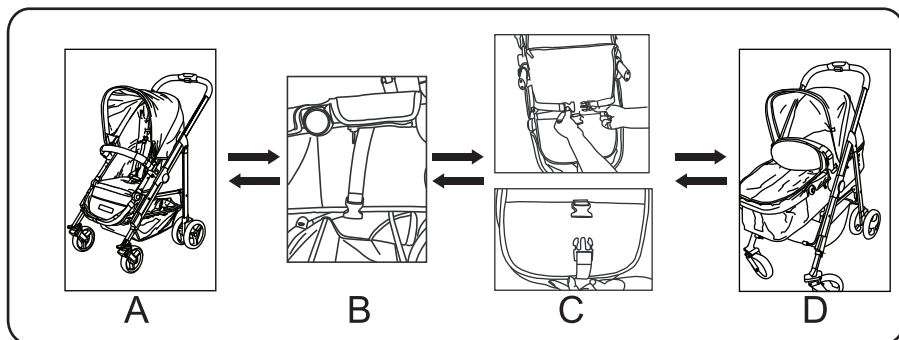
- A, One at the top of the back.
- B, One at the bottom of the center seat section
- C, One at center of the foot rest section
- D, Support bar at the footrest section

If you want to make the (convertible stroller seat) into a stroller seat, attach each of the buckles together. This will create the stroller seat. If you want the Newborn Nest for lying flat, detach all the buckles and this will create the Newborn Nest Function. You will also see a bar connecting the footrest ratchets, on the middle of the bar, you will find a slide, this will allow you to remove the bar to complete the transformation into the Newborn Nest.

If using an additional mattress pad in the bassinette, make should it is not thicker than 25mm (or 1inch)

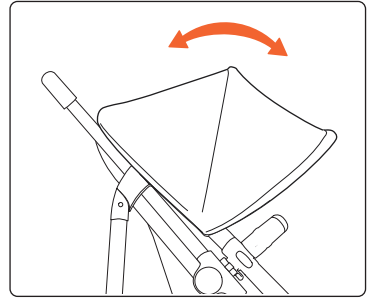
WARNING: Once your child can sit up by themselves, you must stop using the Newborn Nest Function. You must only use the seat in the normal seat function.

Note: There is a zippered apron that will zipper onto the foot area of the Newborn Nest.



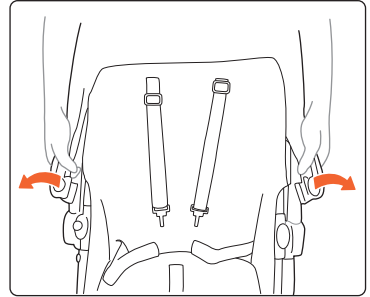
Operating the canopy

1. Gently pull the canopy forward to open to the desired angle.
2. To close, evenly pull back on the canopy to desired position.



Removing the canopy

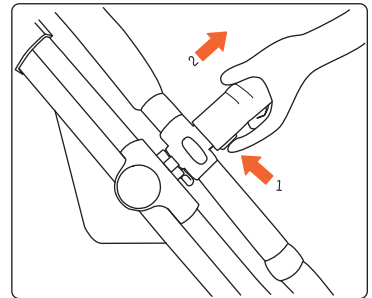
1. Unzip the canopy from the seat frame.
2. To remove the canopy, unhook the C-clips on both sides of the seat frame and lift away from tubing.



Removing the bumper bar

1. Push both the grey buttons on the outside ends of the bumper bar. While depressing both buttons, pull the bar forward to remove.

▲ WARNING: The bumper bar is NOT designed to be used as a carry handle for the stroller seat.



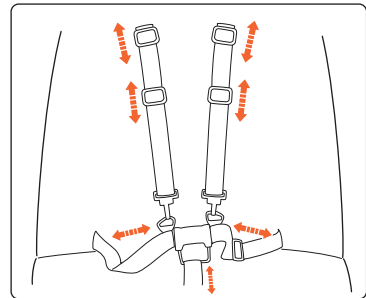
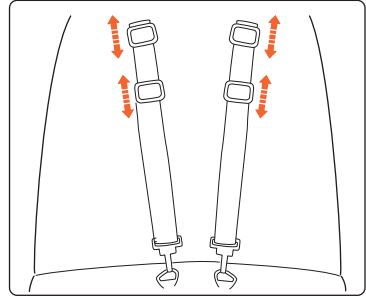
Using the safety harness

The G+G 052 Lynx Stroller is equipped with a 5-point adjustable harness system. The shoulder harness is adjustable in height and can be changed by unthreading the metal from its current position and rethreading it through the shoulder belt positioning loop at the desired height. The length of the shoulder straps can also be changed by sliding the buckle on each shoulder strap. The waist belts are adjustable on either the right or left by using the adjustment buckles on the waist strap.

To use the 5-point harness, insert the 2 waist strap tongues into the center crotch strap buckle from the right and left. The shoulder straps do not need to be detached each time the child is removed or seated in the stroller.

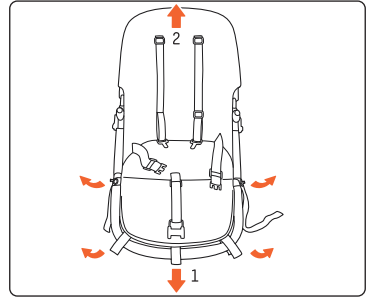
▲ **WARNING:** Always fasten the 5-point harness securely and properly around the child's body whenever the child is seated in the stroller.

▲ **WARNING:** Never leave the child unattended when seated in the stroller



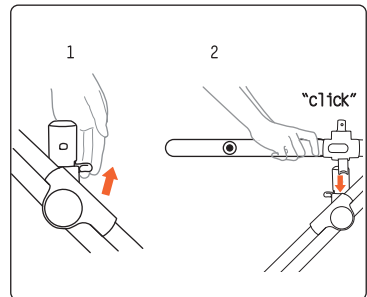
Removing the seat fabric

1. Remove the seat from the stroller chassis.
2. Unzip all the zippers which are holding the fabric on the frame



Using the optional carseat adaptor

1. Set the seat recline mechanisms to the vertical position on both sides.
2. Align the carseat adaptor over the recline mechanisms. Ensure that the safety strap is on the side closer to the handle.
3. Simultaneously push the connectors onto the recline mechanisms until you hear a “click” from both sides (see image).
4. To remove adaptor, simultaneously press buttons on the connectors and lift.



▲ WARNING: Please make sure that both sides have been attached properly. Try lifting the adaptor off of the chassis; if either side moves, you need to push down until you hear a “click”.

▲ WARNING: You CANNOT fold the stroller with the carseat adaptor attached.

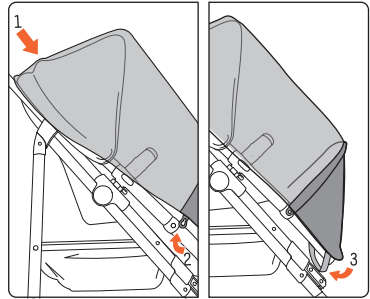
▲ WARNING: Carseat adaptor is only to be used in the horizontal position.

Using the rain cover

1. Fully extend the canopy.
2. Place the rain cover over the canopy.
3. Attach the left and right buckles to the corresponding rivets on each side of the stroller seat.
4. Place the elastic strap around the footrest to secure the rain cover.

▲ **WARNING:** Never use the rain cover without having your child properly restrained in stroller.

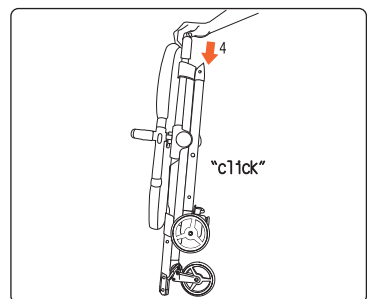
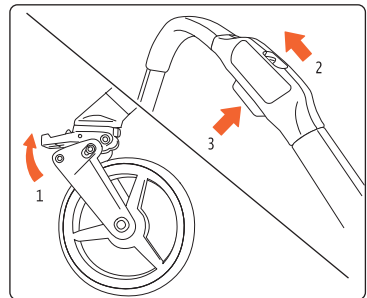
▲ **WARNING:** The rain cover is designed to be used with this guzzie+Guss stroller. Not for use with other accessories.



Folding the stroller

Note: Stroller seat must be in the forward facing position and in the most upright position before attempting to fold the stroller chassis

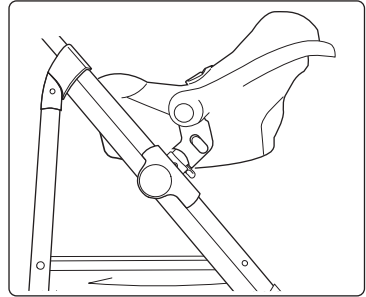
1. Lock the front wheels.
2. Slide the 2nd lock on the handle to the right, until it locks.
3. Squeeze the folding trigger.
4. Tilt the stroller slightly back forwards you; allowing the rear leg of the chassis to swing in, and then push the handle down towards the ground, this will lock the stroller in the folded position. You should hear a “click” when it is locked.



OPTIONAL EQUIPMENT >>

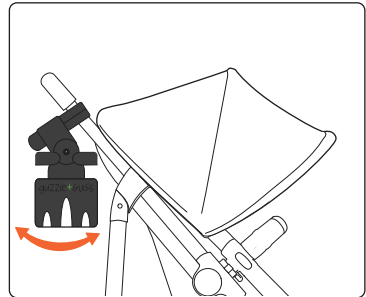
Universal carseat adaptor

guzzie+Guss has developed a “truly” universal carseat adaptor that will work with every infant carseat that we have seen yet. Just adjust it to fit your seat and the included safety belt will keep baby in a secure position.



Universal cup holder

guzzie+Guss has developed a “truly” universal cup holder will work with both your new G+G051 or any other stroller you own. Auto adjusts to fit bottles or large cups. Flexible hinge keeps your cup from tipping over.



Baby Nest Mattress Pad

Universal Stroller Hitch

WARNING >>

Please note the following to ensure safe use of your stroller

▲ WARNING: Using this stroller for purposes other than intended use may:

- Void the warranty
- Damage the stroller
- Cause harm or injury to the child
- Cause harm or injury to others

▲ WARNING: The G+G 052 is NOT designed as a jogging or running stroller and should never be pushed while wearing inline skates or roller blades.

▲ WARNING: Care must be taken when folding and unfolding the product to prevent finger entrapment.

▲ WARNING: Do not place this stroller under or around a cord strap or similar item that could become tangled around the child's neck and cause strangulation.

▲ WARNING: Always fasten the 5-point harness securely and properly around the child's body whenever the child is seated in the stroller.

▲ WARNING: Never use the rain cover without having the Canopy/Hood in place and properly attached to the seat frame.

▲ WARNING: Never leave the child unattended.

▲ WARNING: This stroller is designed for use with one child at a time, from infant up to 25 kgs. (55 lbs).

▲ WARNING: Never allow the child to stand while in the stroller.

▲ WARNING: Make sure child's arms are clear when adjusting the seat recline position.

▲ WARNING: Only use this stroller on even surfaces such as sidewalks and roads, and at walking speed.

▲ WARNING: Avoid using the stroller on uneven surfaces.

▲ WARNING: Keep away from high temperatures and other dangerous places.

▲ WARNING: When the stroller is not in use, please fold and store in a dry, shady place, away from children. This stroller is not a toy.

▲ WARNING: To prevent the stroller from becoming unstable, do not place parcels or accessory items anywhere except in the storage basket and pockets provided.

▲ WARNING: Any load attached to the handle may affect the stability of the stroller. Do not overload stroller.

PRODUCT REGISTRATION AND WARRANTY >>

The G+G 052 Lynx has a Limited Warranty for the period of 1 year from the receipt of purchase against manufacturers' defects and workmanship.

For Warranty Registration:
submit online @ www.guzzieandguss.com
Or mail to the address provided.

Imported by:
Peter John M. Distribution Inc.
88 SW Marine Drive, Vancouver, BC
Canada V5X 2R1

pjmdistribution.com
CANADA: 1-888-597-0992
Fax: 1-604-324-2876

CARE & MAINTENANCE >>

1. ▲ **WARNING:** Check the rivets, brakes and accessories very carefully before using this stroller.
2. ▲ **WARNING:** Stop using this product if there is any damaged or broken parts or pieces.
3. Lubricate all moving parts and joints with a penetrating spray lubricant, from time to time.
4. Remove front wheel cylinder housings and clean thoroughly from time to time.
5. Clean the stroller frame by wiping with moist cloth and dry thoroughly to prevent any rusting.
6. Always wipe dry your stroller after using it in the rain or in winter climates, making sure road salt is removed from frame and joints. Allow the stroller to stand in an open, warm and ventilated place to dry.
7. Do not leave your stroller outside in wet weather as the fabric could mildew.
8. Only hand-wash the fabric by using mild detergent in warm water. DO NOT wash in machine. Hang in a ventilated place to dry. DO NOT tumble dry.
9. It may be unsafe to use accessories other than those approved by the manufacturer or distributor.
10. It may be unsafe to use replacement parts other than those supplied or approved by the manufacturer or distributor.
11. If you have any questions regarding the product please contact guzzie + Guss at 1-888-597-0992, or online at www.guzzieandguss.com.